

Cross Section Drawing
Trinsic Double Casement Picture Window
1 3/8" Nailfin Setback Frame



Clearly the best.™

CAD File Scale
NTS

View
Horizontal & Vertical

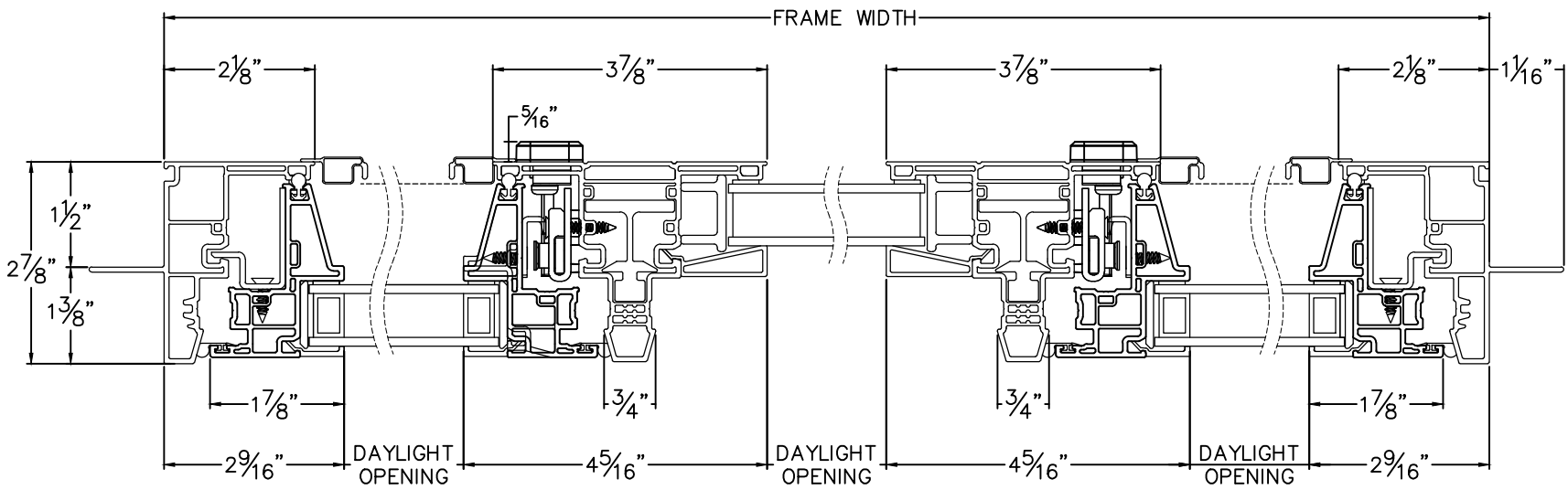
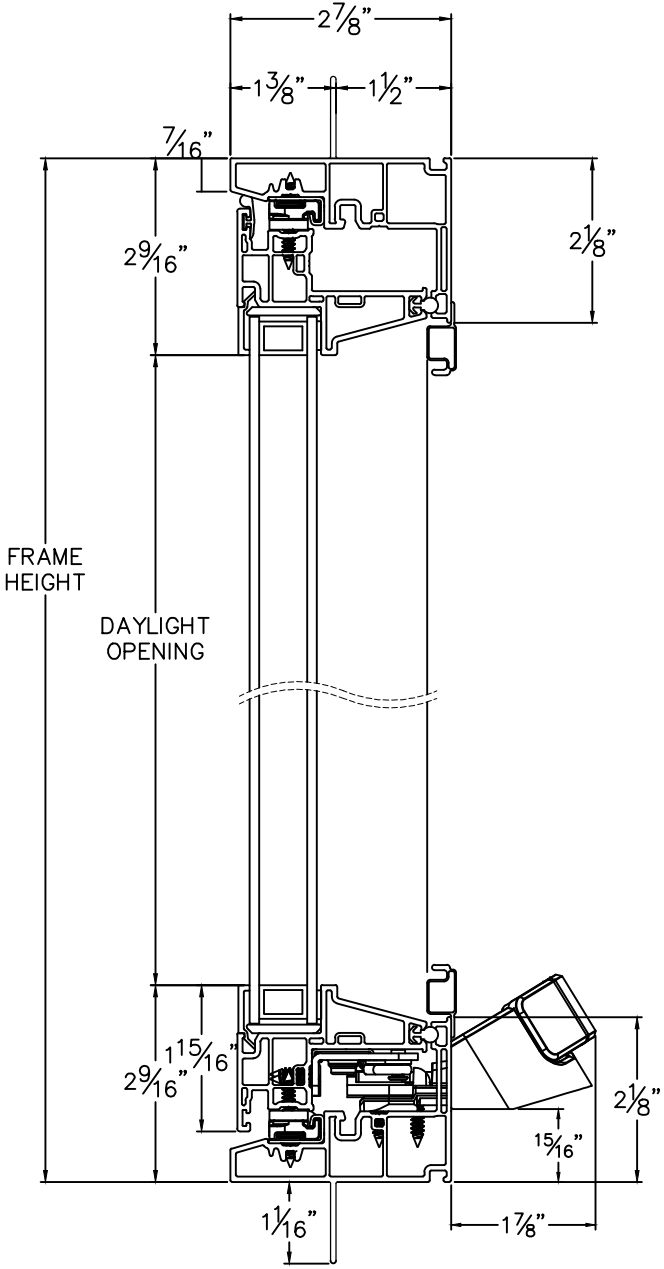
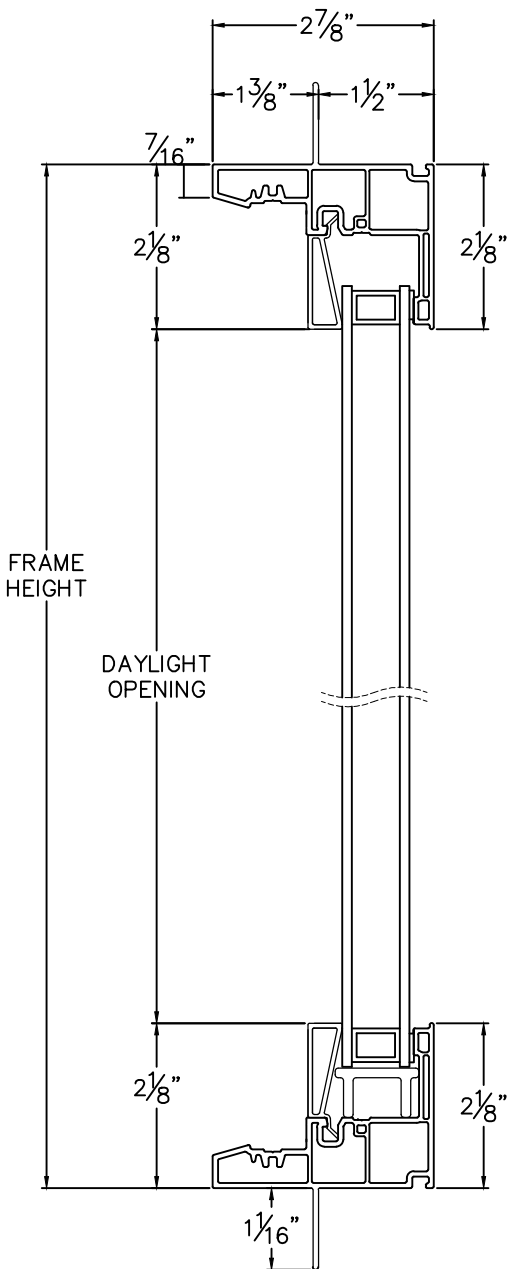
File Name
Trinsic_2510_DCPW_1.375in

Units
Inch

Revision
2/2020

More Technical Documents can be found at milgard.com/professionals
 Due to continual research and development, details may be changed at any time. ©2020 Milgard Mfg.

CASEMENT
SERIES 2510



HEAD & SILL

JAMBS