



Clearly the best.®

Arch Frame Windows

Installation Instructions



Table Of Contents

Arch Frame Windows Installation Preparation	3	Step 15.....	19
Required Tools	4	Hinge Adjustment	20
Required Parts	5	Jamb Extensions / Liners	24
Fixed Picture Window Parts	6	Install Interior Trim	26
Operable Window Parts	7	Mull Covers	28
Combination Picture Window with Operable Window Parts	8	Screen	29
Prepare Rough Opening	9	Window Opening Control Device (WOCD)	32
Step 1.....	9	Sash Removal and Attachment	33
Step 2.....	9	Clean Up	34
Prepare Window for Installation	10	Revisions	35
Step 3.....	10		
Step 4.....	10		
Step 5.....	10		
Access Installation Holes	11		
Step 6.....	11		
Access Installation Straps	12		
Step 7.....	12		
Insert Window Into Opening	12		
Step 8.....	12		
Insert Window Into Opening Continued	13		
Step 9.....	13		
Secure Window	14		
Step 10.....	14		
Weather Barrier	15		
Step 11.....	15		
Step 12.....	15		
Frame Covers	16		
Step 13.....	16		
Handles and Covers	18		
Step 14.....	18		
Window Operation	19		

Arch Frame Windows Installation Preparation

For Milgard Essence Series® Arch Casement Windows

- The window will require two or more people for installation
- Remove cardboard and stretch-wrap from window
- Inspect for any damage. Report damage within five days of receiving product.
- Remove screen, handles and covers
 - Loosen set screw on operator handle with small flat blade screwdriver
 - Remove operator handle and escutcheon
 - Remove lock handle cover and escutcheon
- Place parts bag, unattached parts (exterior trim, interior trim, etc.) and screen in a protected place
- Read all instructions before installing window
 - Many options have specific instructions. These instructions are either included or available on milgard.com

Note:

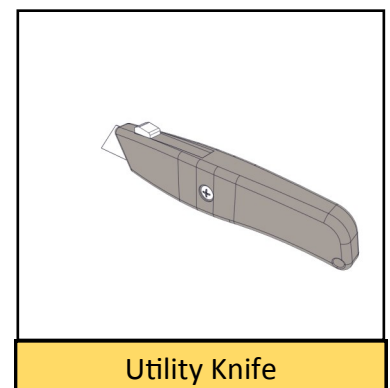
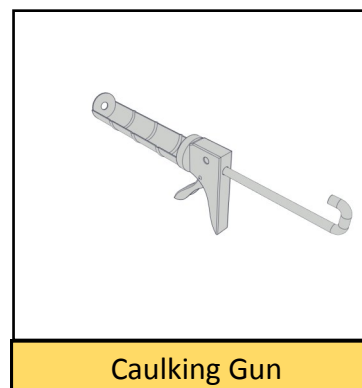
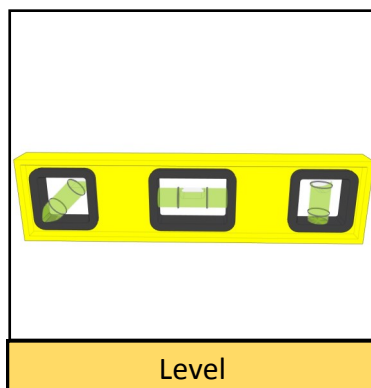
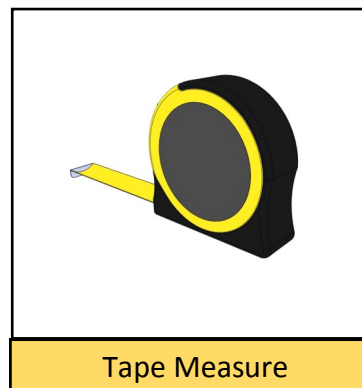
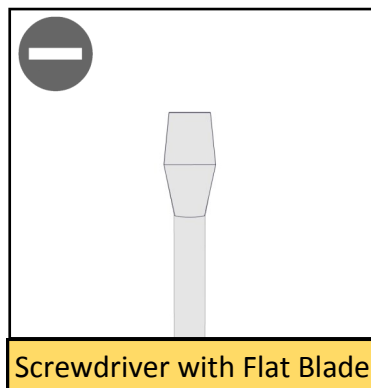
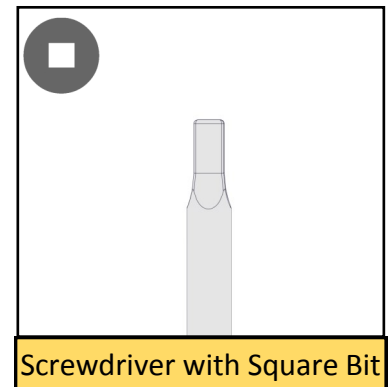
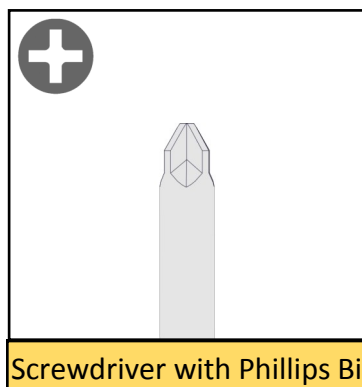
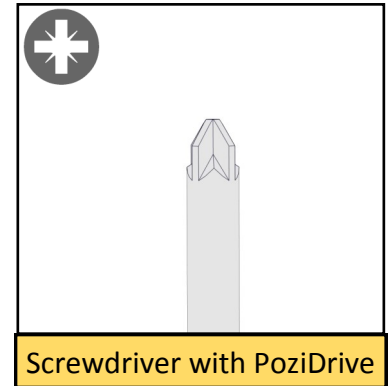
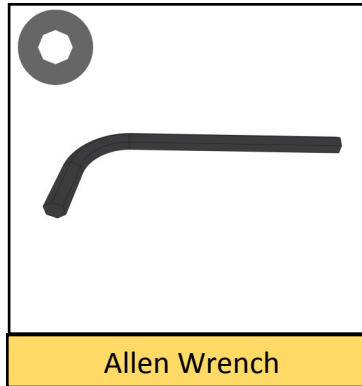
Refer to Exterior Trim Installation Instructions for specific information regarding trim assembly and installation

Required Tools

Installer Supplied

Required Tools

- 4mm or 5/32" Allen wrench
- Screwdriver with #2 Pozidrive or Square Bit
- Screwdriver with #2 Phillips Bit
- Screwdriver with small flat blade
- Tape Measure
- Putty Knife
- Level
- Caulking Gun
- Utility Knife



Required Parts

Installer Supplied

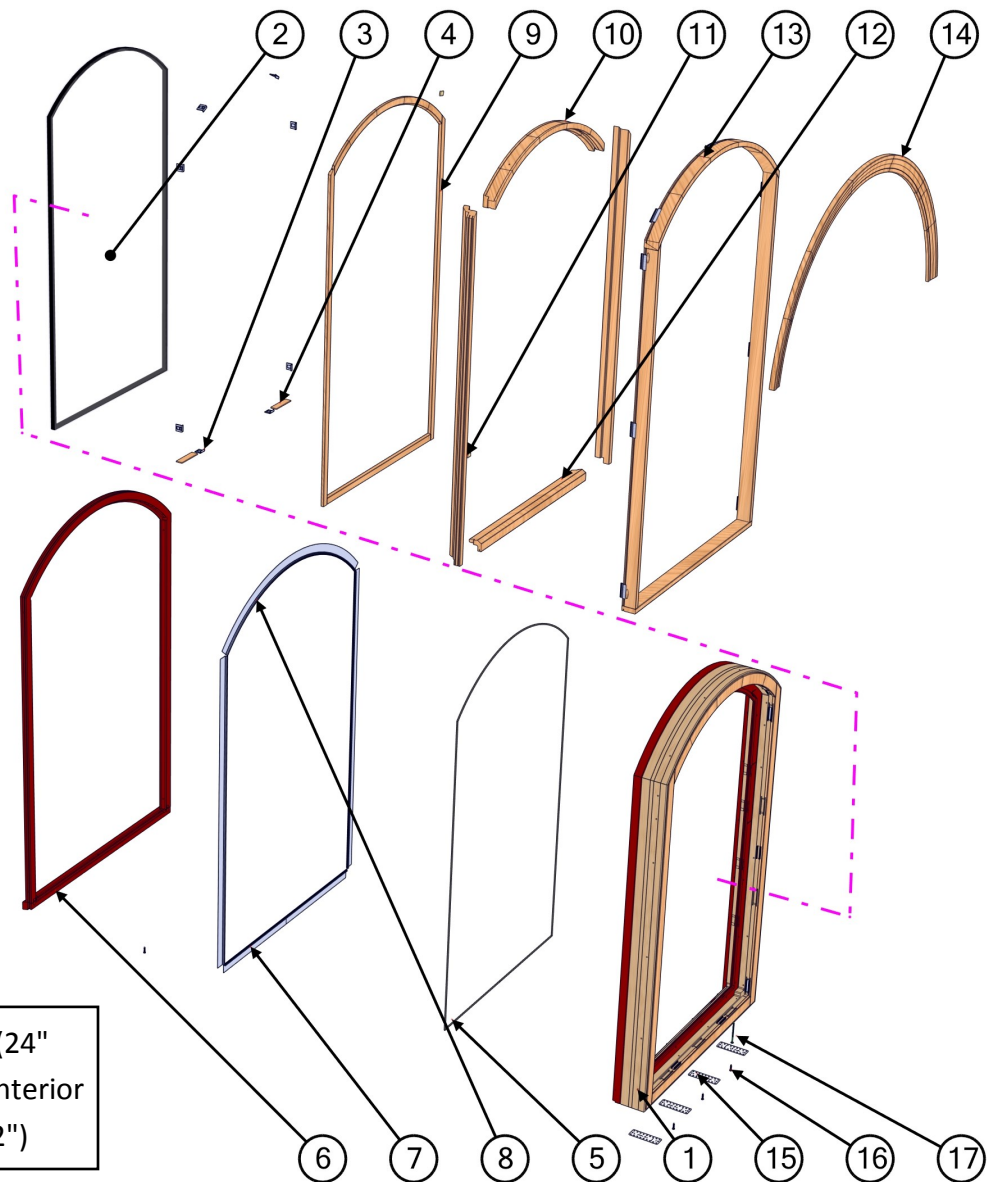
Required Parts

- Exterior grade premium sealant suitable for Door/Window applications
- Flashing Tape
- Masking Tape
- Drip Fin
- Backer Rod (closed cell foam)
- Rot resistant shims or spacers
- Low expansion foam

<p>Sealant</p>	<p>Flashing Tape</p>
<p>Masking Tape</p>	<p>Drip Fin</p>
<p>Backer Rod</p>	<p>Shim</p>
<p>Spacer</p>	<p>Low Expansion Foam</p>

Fixed Picture Window Parts

- See Parts Manual, LA7020, for more part numbers and options
- See Exterior Trim Installation Instructions for trim part



Exploded view - 3050 arch top (24" AWR) EATPW with exterior trim, interior trim (356), jamb extensions (2")

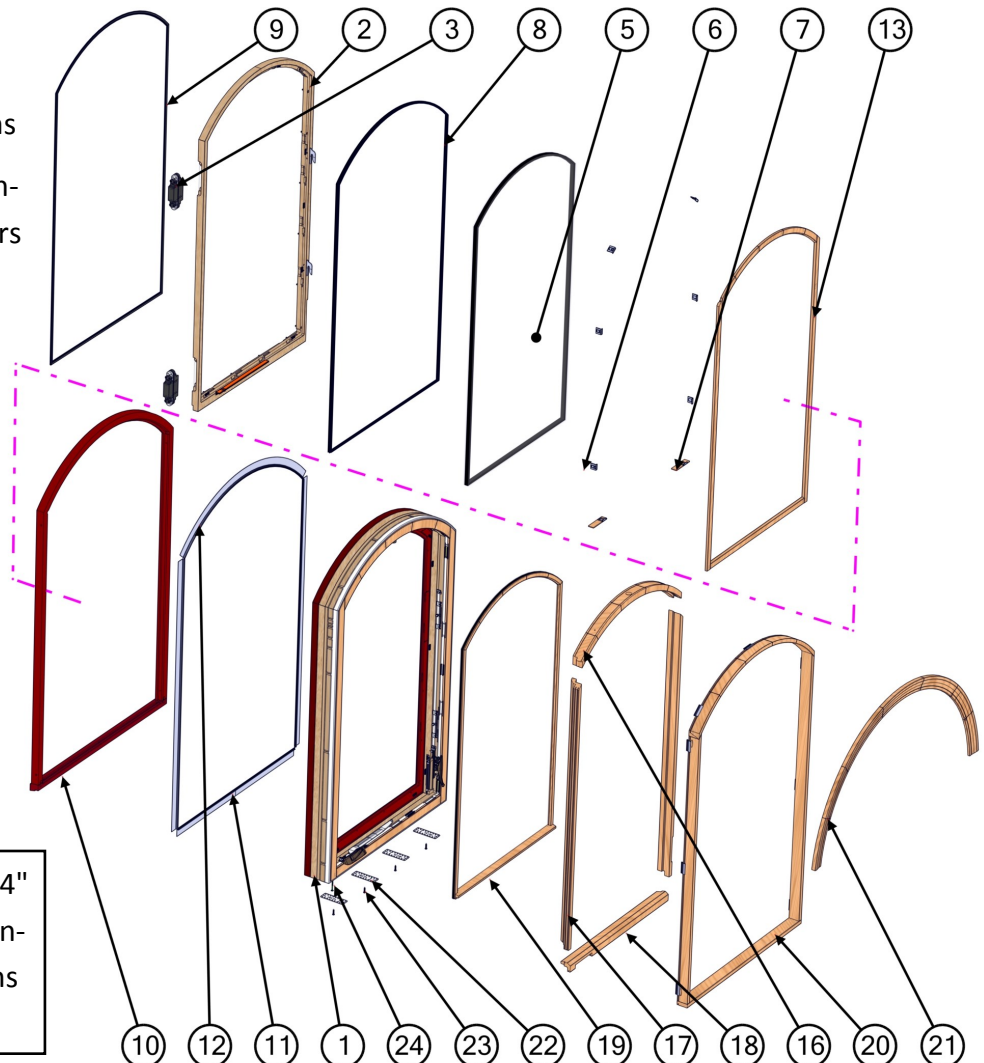
PART	DESCRIPTION	PART NUMBER	PART	DESCRIPTION	PART NUMBER
1	FRAME	EXTPW FRAME	10	FRAME COVER HEAD	WO7856
2	GLASS	TGXT	11	FRAME COVER JAMB	WO7620
3	GLAZING CLIP	IM8950ML	12	FRAME COVER SILL	WO7850
4	GLAZING BLOCK	MI7510BL	13	JAMB EXTENSION	EXTLINER
5	WEATHERSTRIP	WS7200XX	14	INTERIOR TRIM	ETXTIS
6	EXTERIOR TRIM	ETXT	15	INSTALLATION STRAPS	HA7105
7	FLASHING FIN	VA7249TN*	16	INST STRAP SCREW	FA7606
8	RADIUS FIN	VA7234XX*	17	THROUGH JAMB SCREW	FA7600
9	GLAZING BEAD	EXTWO			

NOTE: "X" IN PART NUMBER CHANGES WITH MODEL

* FLASHING FIN PART #'S CHANGE WITH SETBACK/WIDTH

Operable Window Parts

- See Parts Manual, LA7020, for more part numbers and options
- See Exterior Trim Installation Instructions for trim part numbers



Exploded view - 3050 arch top (24" AWR) EATFC with exterior trim, interior trim (S4S), jamb extensions (1/2")

PART	DESCRIPTION	PART NUMBER	PART	DESCRIPTION	PART NUMBER
1	FRAME	EXTFC FRAME	12	RADIUS FIN	VA7234XX**
2	SASH	EXTFCVO	13	GLAZING BEAD	EXTWO
3	HINGE (STANDARD)	HA8406EG	16	FRAME COVER HEAD	WO7856
4	HINGE (STAINLESS STEEL)*	HA8405SS	17	FRAME COVER JAMB	WO7620
5	GLASS	TGXT	18	FRAME COVER SILL	WO7850
6	GLAZING CLIP	IM8950ML	19	SCREEN	EXTFCSC
7	GLAZING BLOCK	MI7510BL	20	JAMB EXTENSION	EXTLINER
8	OUTSIDE WEATHERSTRIP	WS7000XX	21	INTERIOR TRIM	ETXTIS
9	SASH WEATHERSTRIP	WS7003BUXX	22	INSTALLATION STRAPS	HA7105
10	EXTERIOR TRIM	ETXT	23	INST STRAP SCREW	FA7606
11	FLASHING FIN	VA7249TN**	24	THROUGH JAMB SCREW	FA7600

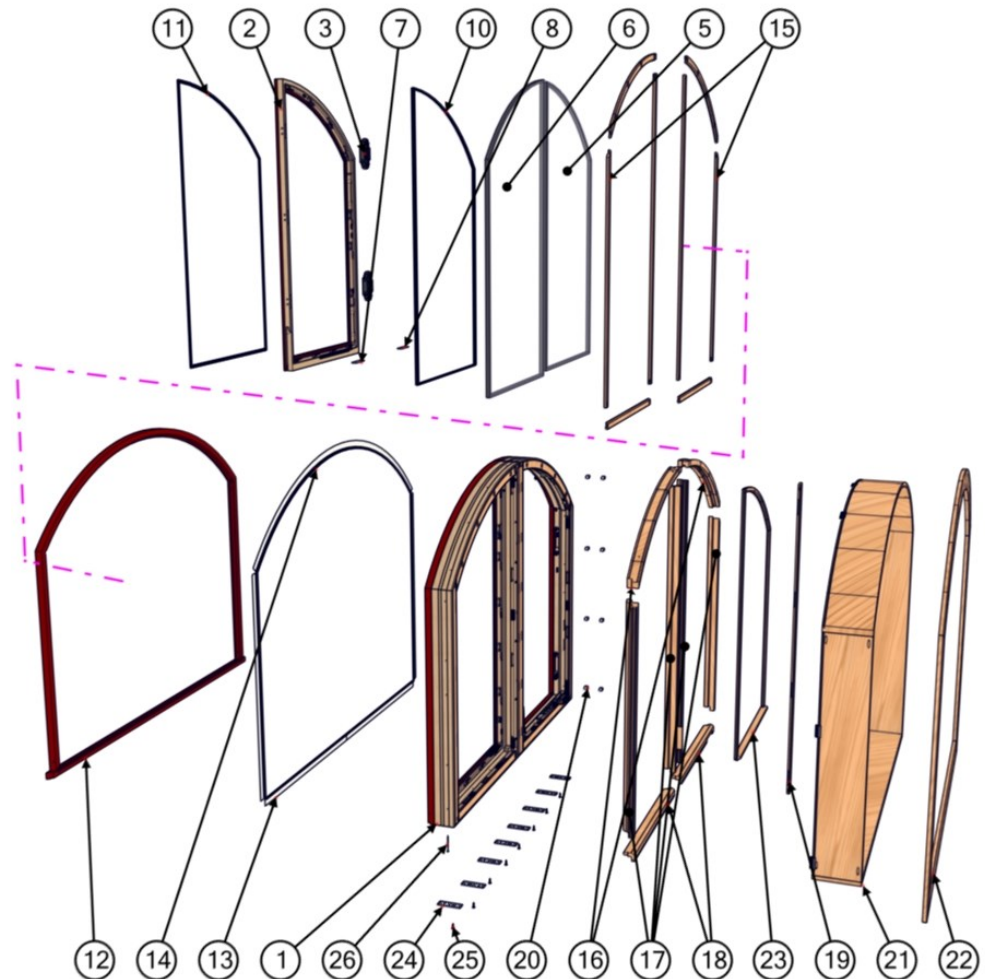
NOTE: "X" IN PART NUMBER CHANGES WITH MODEL

* STAINLESS HINGES DO **NOT** FIT STANDARD HINGE PREP

** FLASHING FIN PART #'S CHANGE WITH SETBACK/WIDTH

Combination Picture Window and Operable Window Parts

- See Parts Manual, LA7020, for more part numbers and options
- See Exterior Trim Installation Instructions for trim part numbers



Exploded view - 6050 arch top (48" AWR) EATSC with exterior trim, interior trim (S4S), jamb extensions (7-15/16")

PART	DESCRIPTION	PART NUMBER	PART	DESCRIPTION	PART NUMBER
1	FRAME	EXTSC FRAME	14	RADIUS FIN	VA7234XX**
2	SASH	EXTFCVO	15	GLAZING BEAD	EXTWO
3	HINGE (STANDARD)	HA8406EG	16	FRAME COVER HEAD	WO7856
4	HINGE (STAINLESS STEEL)*	HA8405SS	17	FRAME COVER JAMB	WO7620
5	GLASS	TGXT	18	FRAME COVER SILL	WO7850
6	GLASS	TGXT	19	MULL COVER	WO7502
7	GLAZING CLIP	IM8950ML	20	CONNECTORS	HA8408
8	GLAZING BLOCK	MI7510BL	21	JAMB EXTENSION	EXTLINER
9	WEATHERSTRIP	WS7200XX	22	INTERIOR TRIM	ETXTIS
10	OUTSIDE WEATHERSTRIP	WS7000XX	23	SCREEN	EXTFCSC
11	SASH WEATHERSTRIP	WS7003BUXX	24	INSTALLATION STRAPS	HA7105
12	EXTERIOR TRIM	ETXT	25	INST STRAP SCREW	FA7606
13	FLASHING FIN	VA7249TN**	26	THROUGH JAMB SCREW	FA7600

NOTE: "X" IN PART NUMBER CHANGES WITH MODEL

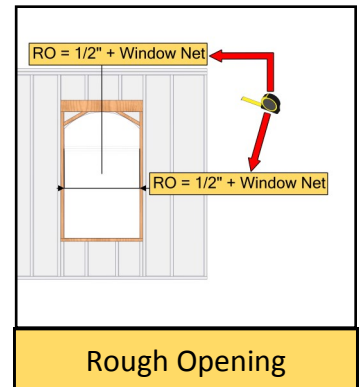
* STAINLESS HINGES DO **NOT** FIT STANDARD HINGE PREP

** FLASHING FIN PART #'S CHANGE WITH SETBACK/WIDTH

Prepare Rough Opening

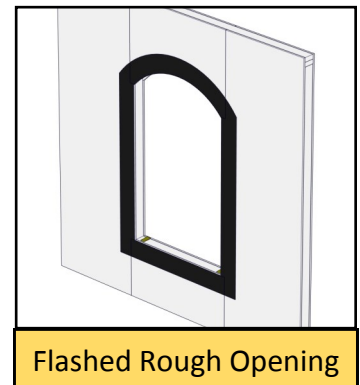
1 Determining Rough Opening (RO)

- Measure window and confirm rough opening sizing is correct. The window must be at least 1/2" smaller in height and width than the rough opening.
- For radius openings, confirm corner blocking is in correct locations for installation straps or through the jambs screws
- For windows with Flashing Flange, follow AAMA 2400-10 Installation Standard
- For windows with no trim (block frame) or integral trim, follow AAMA 2410-13 Installation Standard
- These instructions do not explain how to properly flash or square a rough opening



2 Shimming

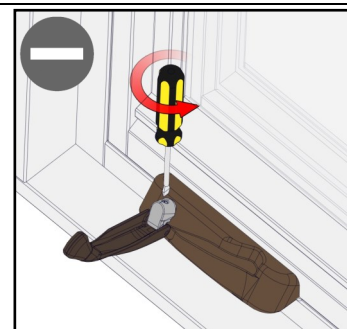
- Use rot resistant shims to level area where window will sit
- Place shims (1-1/2" wide x 3" long x 1/4" thick) about 1" from both sides of rough opening
- Add additional shims at mullion locations
- Level and secure shims against movement
- Remove any dirt or construction debris from opening



Prepare Window for Installation

3 Unpacking Window

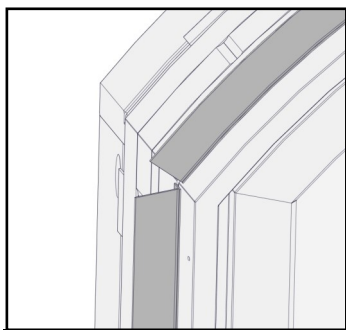
- Remove packaging and hardware
- For operating windows only: Remove lock handle and cover
- For operating windows only: Use 3/16" or smaller flat blade screwdriver to loosen operator handle set screw. Remove handle and cover
- Put handles and covers in parts bag for safe keeping
- Remove Screen(s)



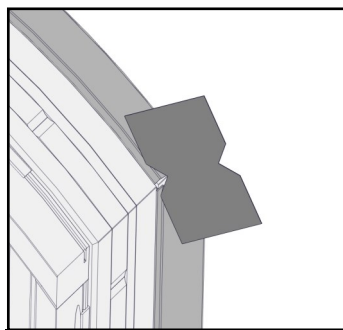
Remove Handle

4 Flashing Flange

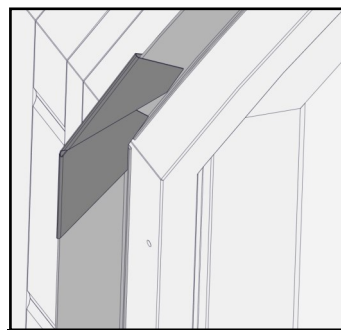
- Fold out optional Flashing Flanges to 90 degrees.
 - Attach Corner Gaskets
 - Fold Gaskets over Flashing Flanges
 - Seal gaps with sealant between Gasket and Flanges



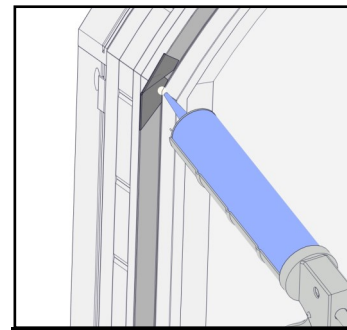
Flashing Flange



Flashing Gasket



Folded Gasket



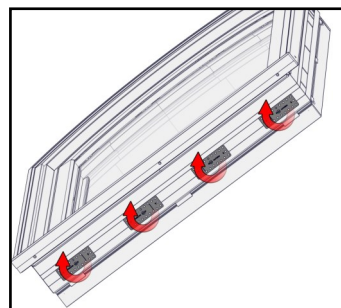
Apply Sealant

5 Straps

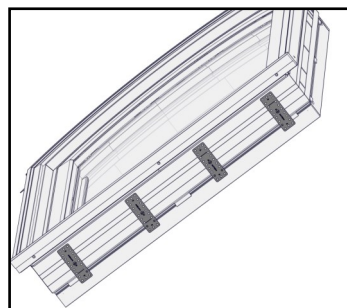
- Rotate optional Installation Straps 90 degrees.

Note:

Note: If straps do not extend beyond the inside edge of the Jamb Extenders/Liners, it may be necessary to remove the extenders.



Strap Rotation



Installation Position

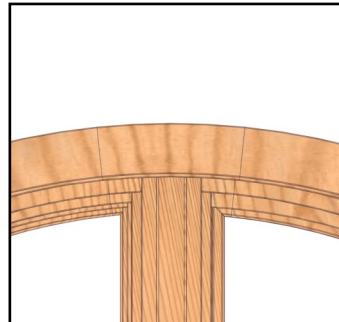
Access Installation Holes

6

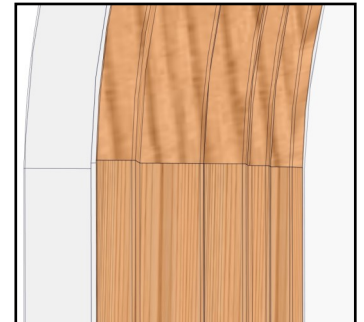
Removing Frame Covers

Note:

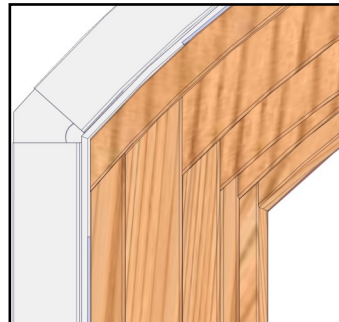
- ◆ If using Installation Straps, do not remove Frame Covers
 - ◆ If there is a mullion, leave the mull jamb covers in place
- Remove Frame Covers
 - Use putty knife to pry Sill Cover straight up. Pry area around operator first to avoid binding and breaking Sill Cover.
 - Round Top Only (Miter Joint Corners):
 - Pry Jamb Covers away from frame
 - Pull down on Header Cover
 - Arch Top Only (Butt Joint Corners)
 - Remove Screws using #2 Square Drive
 - Pull down on Header Cover
 - Pry Jamb Covers away from frame
 - Combination Miter and Butt Joint Corners
 - If there is a Butt Joint, there is a #2 Square Drive screw to remove
 - Pry Jamb Cover away from frame on mitered side
 - Pull down on Header Cover
 - If the butt side is on a Mullion, leave the Jamb Cover in place, otherwise pry it away from frame
 - Put Frame Covers and screws in a safe place to avoid damage and loss



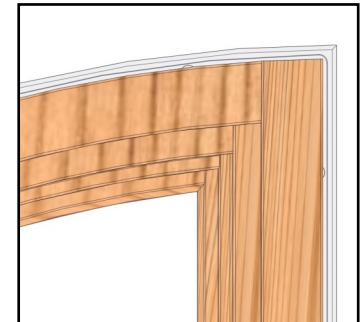
Mull Jamb Cover



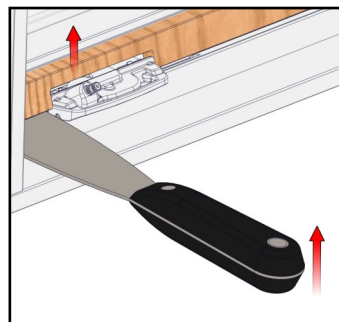
Round Top Miter Joints



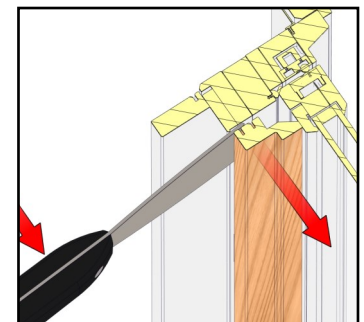
Arch Top Butt Joints



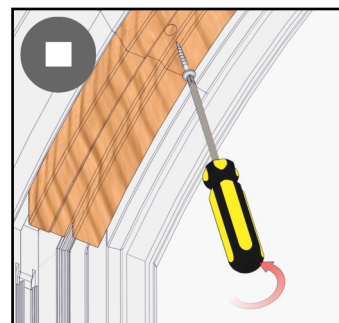
Quarter Round Joints



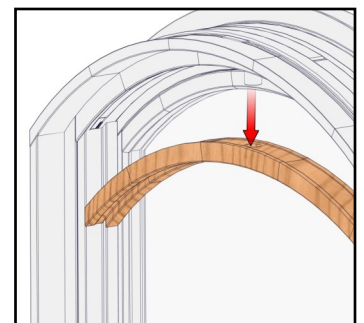
Sill Cover Removal



Jamb Cover Removal



Head Screw Removal



Head Cover Removal

Access Installation Straps

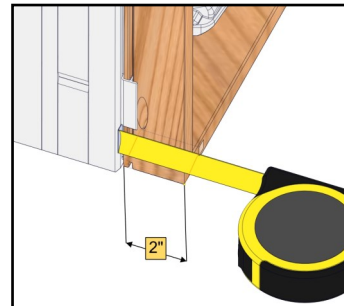
7

Removing Jamb Extenders / Liners

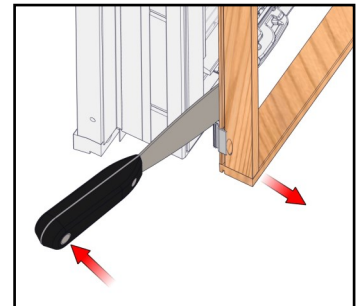
- Remove Jamb Extenders/Liners
- Remove jamb extenders by gently prying extenders away from window

Note:

- ◆ If jamb extenders are held on by a Clip (VA7476), they can be removed easily. Staples/Pins secure extenders narrower than 1/2", removal is not recommended.
- ◆ Jamb extenders wider than 7/8" are screwed together



Measuring Ref. Dim.



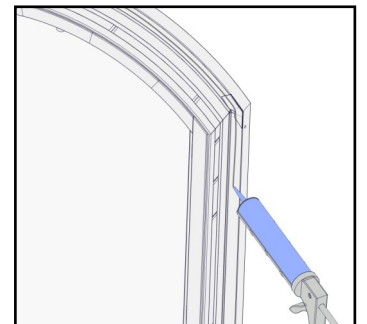
Jamb Extender Removal

Insert Window Into Opening

8

Applying Sealant

- Apply 1/4" diameter bead of sealant to backside of Integral Trim or Flashing Flange. Sealant should be within 1/2" of outermost edge of Trim or Flange.

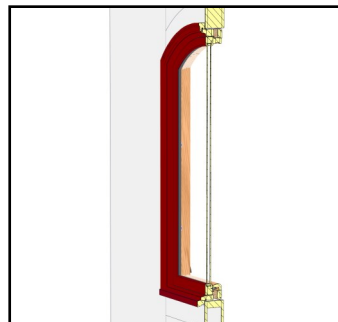


Apply Sealant

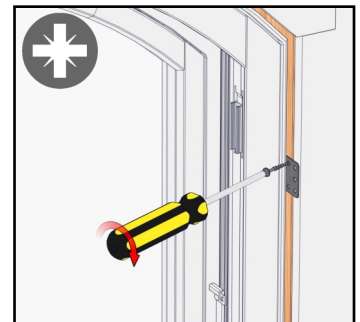
Insert Window Into Opening Continued

9 Centering Window

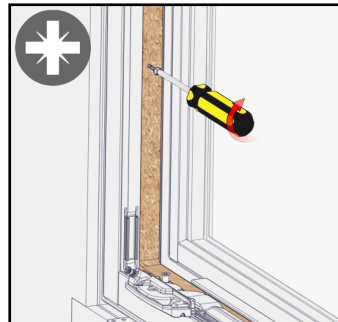
- Center window in opening on sill shims
- Push Flashing Flanges or Integral Trim against wall.
- Temporarily secure window into opening by driving a screw in an upper corner through either the jamb or an installation strap.
 - #8-1-5/8" screw for straps
 - #10-3-1/2" screw for jambs
- Plumb and Square the window
- Position shims next to each through the jamb screw hole or installation strap
- Keep shims 1/2" short of full window frame depth
- Measure in several places to verify window has consistent depth from inside face of window to inside wall.



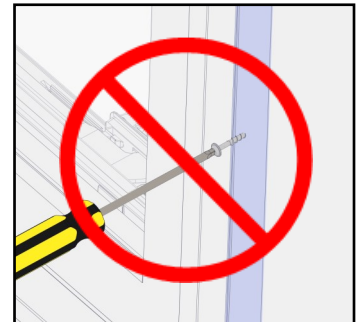
Window In Frame



#8-1-5/8" Through Strap



#10-3-1/2" Through Jamb

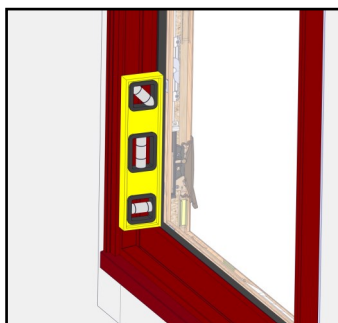


Do Not Penetrate Fin!

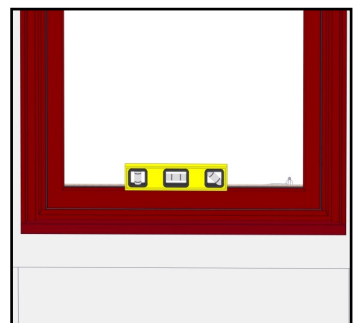
Note:



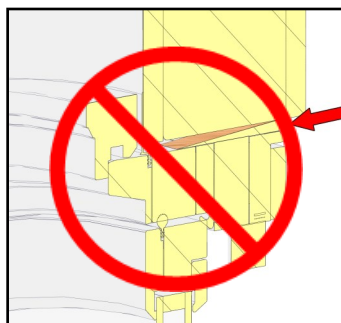
- ◆ Flashing flanges are not a structural component of an Arch Frame window. The flashing flanges will not adequately secure window in opening. Do not rely upon fasteners through a flashing flange.
- ◆ Do not shim above window



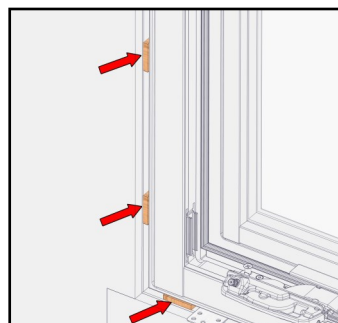
Parallel To Wall



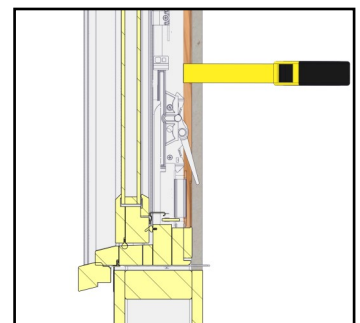
Parallel To Ground



Do Not Shim Header!



Shim Placement



Inside Fascia To Drywall

Secure Window

10 Securing the Window

Through the Jamb Screws

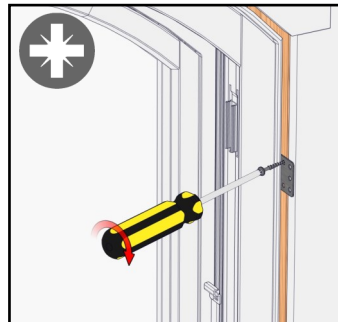
- Use #2 Pozidrive to drive provided #10 x 3 -1/2" screws through the jamb and into the rough opening. Screw head must be within 1/16" of flush with the window frame.
- Do not overdrive the screws as they will twist the jamb and make the window difficult to operate.

Installation Straps

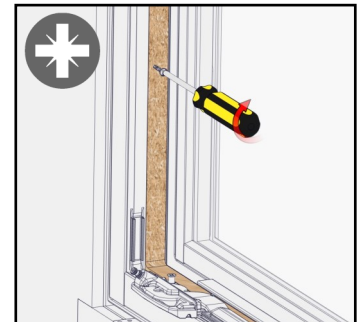
- Drive #8 x 1-1/2" or longer screws (not provided) through any hole in the strap into the rough opening
- Reinstall Jamb Extenders/Liners
- Recheck Plumb and Square

Note:

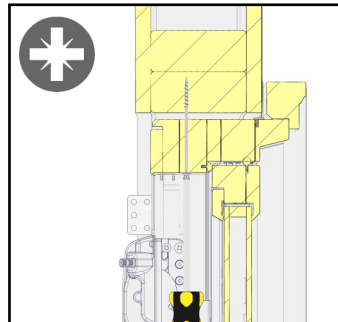
- ◆ It may be necessary to remove Jamb Extenders/Liners to access installation straps on walls thicker than 4-9/16"
- ◆ Refer to Field Mulling instructions for specific information regarding mull installation
- ◆ To achieve Design Pressure (DP) rating, all through the jamb holes or installation straps must have a screw into the rough opening.



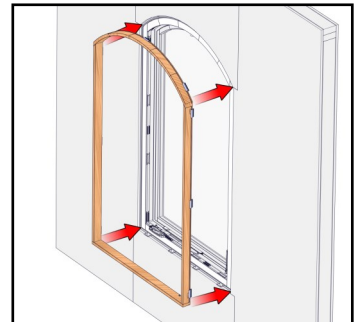
#8-1-5/8" Through Strap



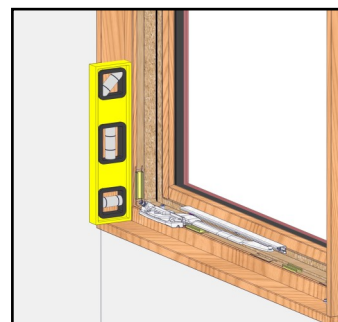
#10-3-1/2" Through Jamb



#10-3-1/2" Through Jamb



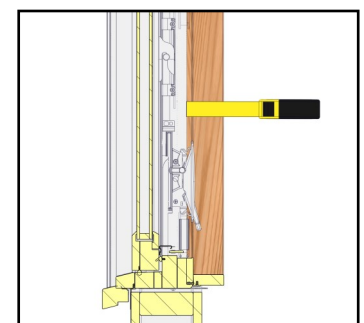
Jamb Extender Install



Parallel To Wall



Parallel To Ground



Inside Fascia To Jamb

Weather Barrier

11 Installing Weather Barrier

- Install outside weather barrier
- Flashing Flanges: Apply Flashing Tape in weather board fashion per AAMA 2400-10
- Do not tape over bottom flashing flange
- Integral Trim: Flash window per AAMA 2410-13
- Apply Drip Edge (not provided) and integrate it with weather barrier

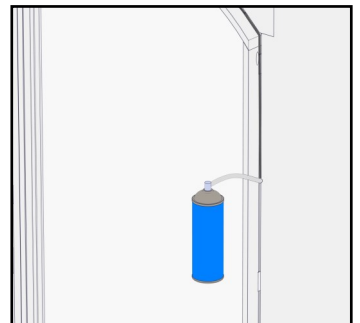


Flashing Over Flange

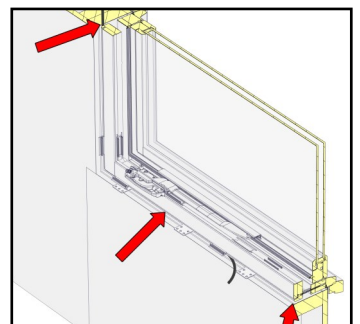
Seal Interior

12 Completing Interior Seal

- Complete interior seal
 - Place continuous bead at least 1" deeper than window interior
 - Apply foam over straps and shims to form a complete air barrier
 - Remove any foam that expands beyond interior of window frame



Low Expansion Foam



Insert Backer Rod In Gap

Note:

- ◆ Use low pressure insulating foam designed for window and door installation
- ◆ Apply foam between window frame and rough opening, not between jamb extensions and rough opening
- ◆ May use backer rod and sealant instead foam.

Frame Covers

13 Replacing Frame Covers

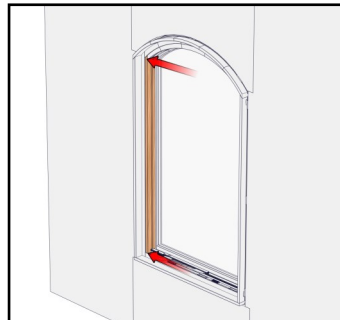
- Replace Frame Covers
- Round Top Only (Miter Joint Corners):
 - Push up on Header Cover to engage Dual Lock
 - Start top of Jamb Cover under Header Cover
 - Push bottom of Jamb Cover sideways until achieving a consistent gap
 - Repeat for other Jamb Cover
- Arch Top Only (Butt Joint Corners)
 - Push Jamb Covers into place until achieving consistent gaps
 - Push up on Header Cover to engage Dual Lock
 - Replace Screws using #2 Square Drive
 - Place provided Hole Plugs into holes and tap until flush with surrounding surface
- Replace Sill Cover. Push straight down to avoid breaking Sill Cover.



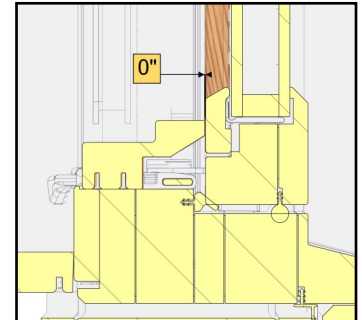
RT Head Cover Install



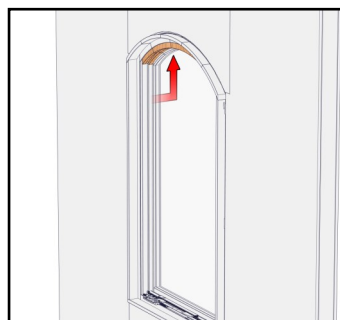
RT Jamb Cover Install



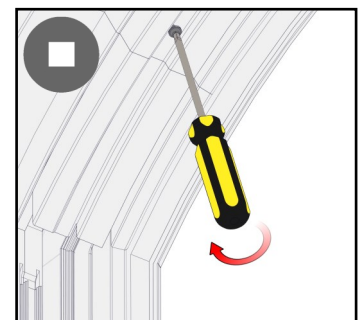
AT Jamb Cover Install



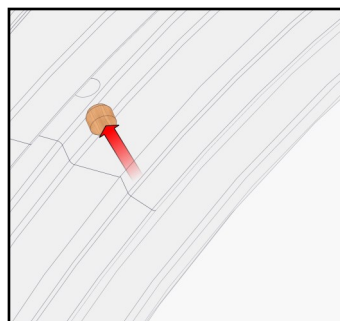
Jamb Cover Proper Gap



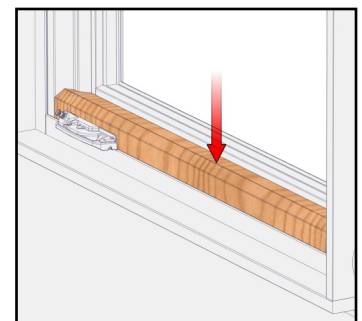
AT Head Cover Install



AT Head Screw Install



Hole Plug Install



Sill Install

Note:

- ◆ If there is a Butt Joint on the Header Cover, there is a #2 Square Drive screw to install

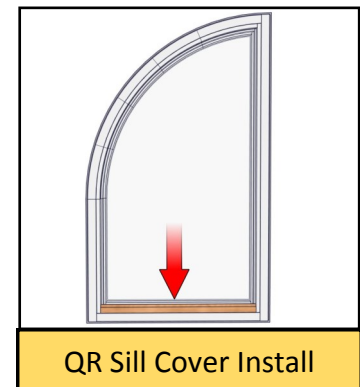
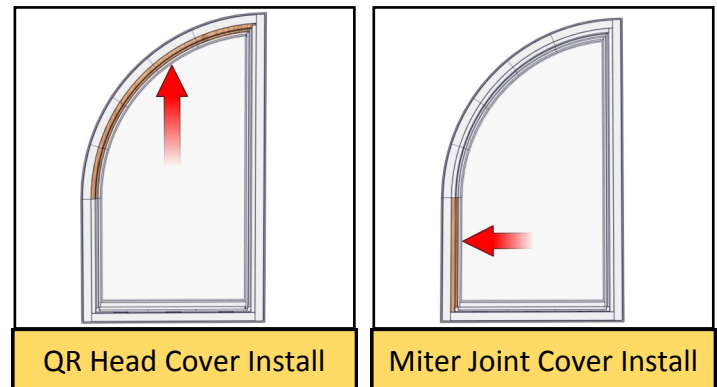
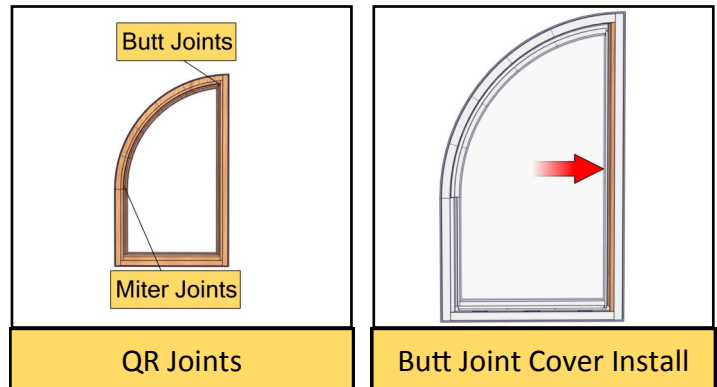
Tip:

- ◆ Interior finish is usually adequate to secure Hole Plugs. For a more secure install, place small amount of wood glue on plugs before installation

Frame Covers Continued

13 Replacing Frame Covers Continued

- Combination Miter and Butt Joint Corners
 - Push Butt Joint Jamb Cover into place until achieving consistent gap
 - Push up on Header Cover to engage Dual Lock
 - Start top of Miter Joint Jamb Cover under Header Cover
 - Push bottom of Jamb Cover sideways until achieving a consistent gap
 - Replace Sill Cover. Push straight down to avoid breaking Sill Cover.



Tip:

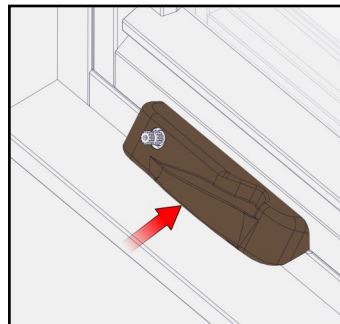
If there is a Butt Joint on the Header Cover, there is a #2 Square Drive screw to install

Handles and Covers

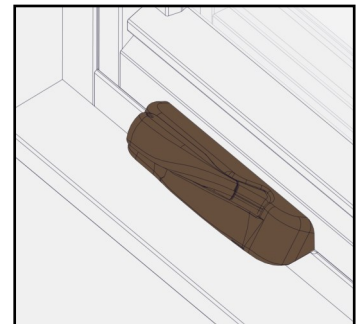
14 Replacing Handles and Escutcheons

Replace Operator Handle and Escutcheon

- Install operator escutcheon and handle.
- Ensure that handle folds into recess on escutcheon.
- Tighten set screw on handle.



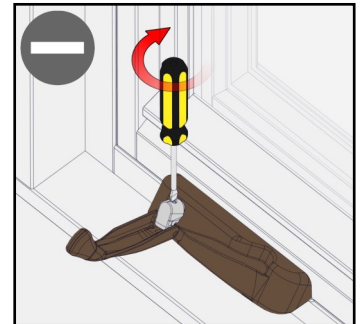
Escutcheon Install



Handle Install



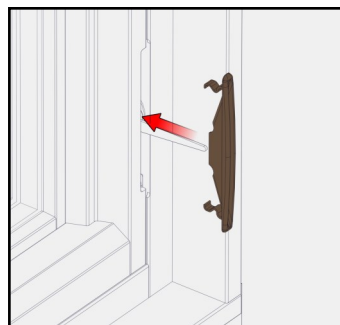
Incorrect Handle Install



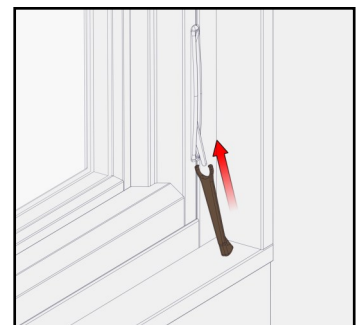
Secure Handle Set Screw

Replace Lock Handle and Escutcheon

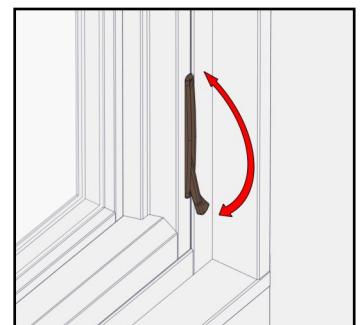
- Install lock escutcheon and handle.
- Confirm lock/unlock with handle.



Escutcheon Install



Handle Install

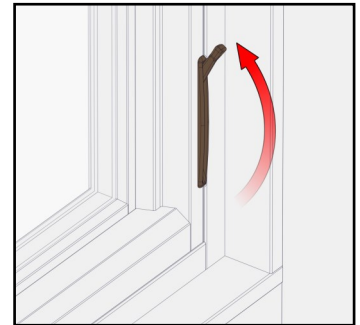


Lock / Unlock Motion

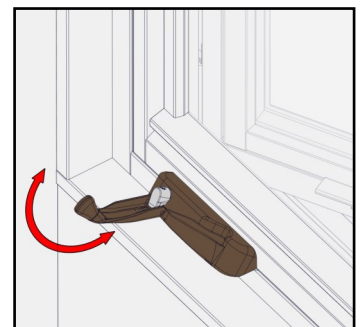
Window Operation

15 Testing Window Operations

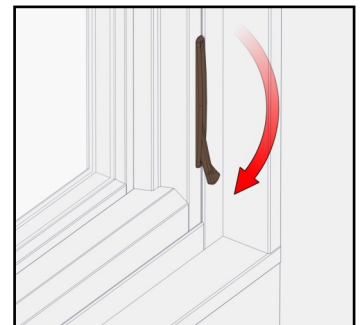
- Verify window operates
- Flip Lock Lever up to unlock window
- Rotate operator handle to open and close window several times
- Window should open without pushing on the Sash. Window should close until it contacts the weather-strip. Operate the Lock to fully close the Sash.
- If the window does not open and close satisfactorily, the hinges are adjustable.



Unlock



Rotate Operator Handle



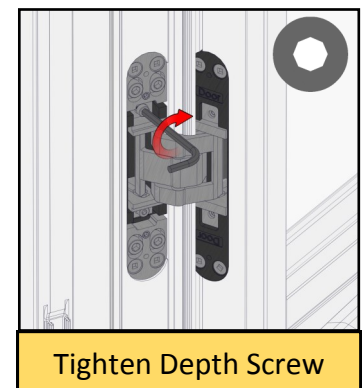
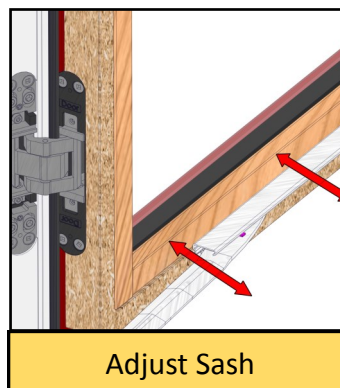
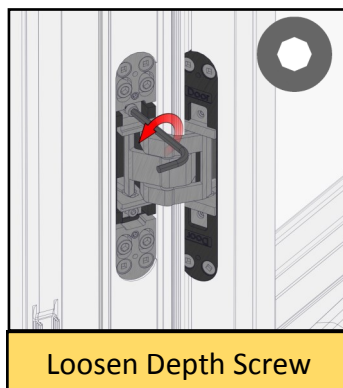
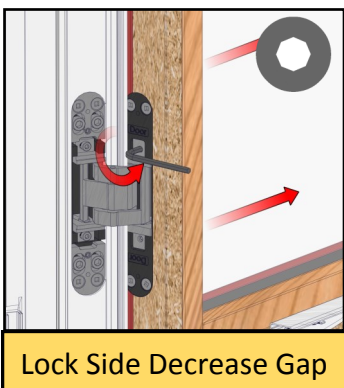
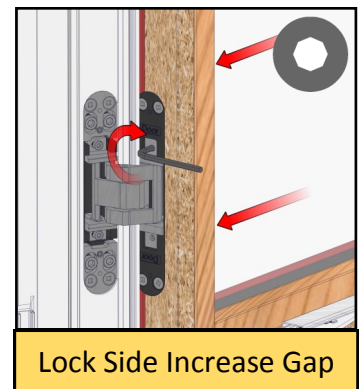
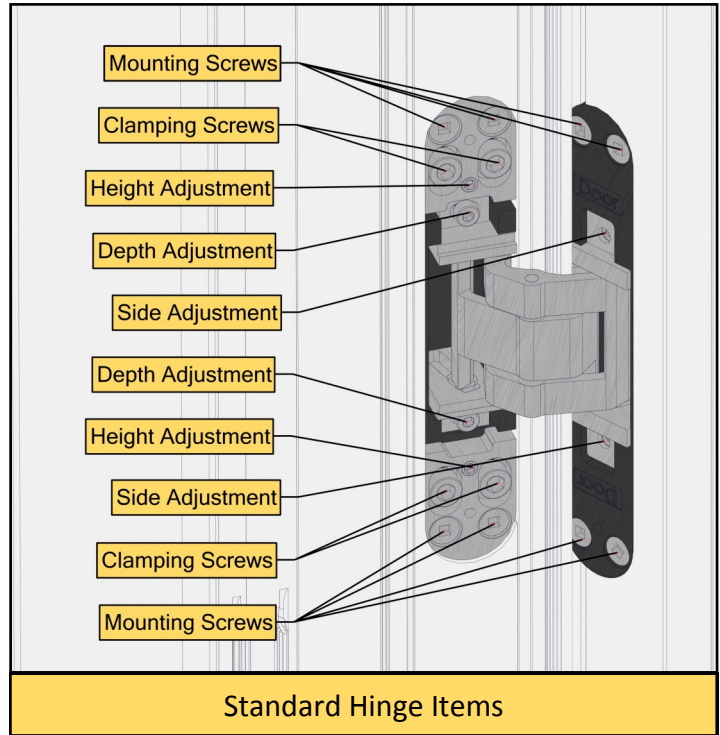
Lock Window

Hinge Adjustment

- For standard hinges, remove covers using a #2 Phillips screwdriver
- For Stainless Steel hinges, remove covers using a 2.5mm allen wrench
- Use a 4mm or 5/32" Allen Wrench for all adjustments

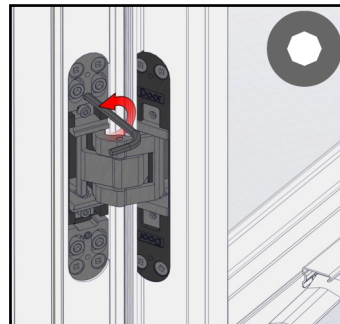
Standard Hinge

- Side to Side Adjustment of Sash
 - Adjust the Side Adjustment screws on sash-side part of hinge.
 - Turn both adjusting screws CCW on both hinges to decrease gap on lock-side of sash.
 - Turn both adjusting screws CW on both hinges to increase gap on lock-side of sash.
- Depth Adjustment of Sash
 - Slightly loosen the depth adjusting screws on the jamb-side part of both hinges.
 - Adjust sash to desired compression.
 - Re-tighten the depth adjusting screws on both hinges..

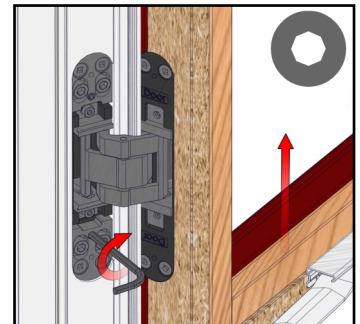


Hinge Adjustment Continued

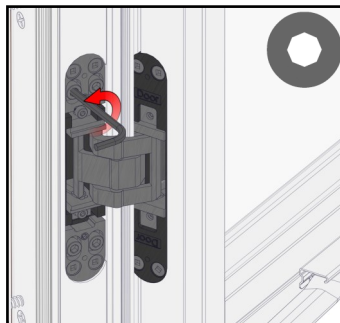
- Height Adjustment of Sash
 - Slightly loosen all four clamping screws on all hinges.
 - Turn the lower adjustment screw CW to raise the sash.
 - Turn the lower adjustment screw CW on second hinge until met with resistance.
 - Turn the lower adjustment screw CCW to lower the sash.
 - ◆ Turn the lower adjustment screw CCW on second hinge until met with resistance.
 - Re-tighten all clamping screws.
- Installing Hinge Covers
 - Place hinge cover on Jamb side of hinge.
 - Insert included 4mm x 10mm long flat head screw in screw hole.
 - Using a #2 Philips Screwdriver, drive screw into hinge.
 - Repeat for other end of hinge and the other jamb hinge.
 - Repeat for sash side of hinges.



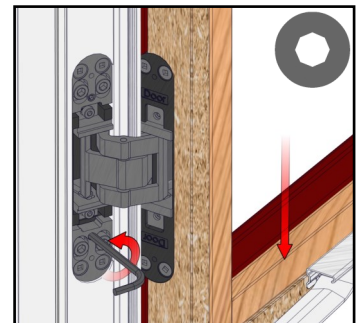
Loosen Upper Adj. Screws



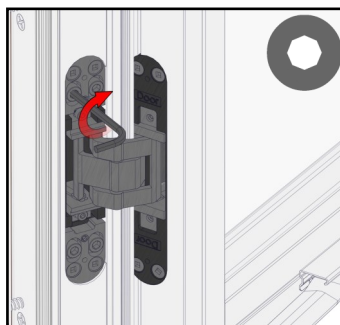
Raise Sash



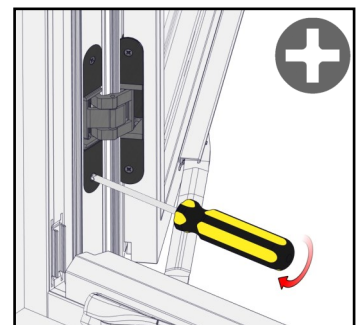
Loosen Clamping Screws



Lower Sash



Tighten Clamping Screw



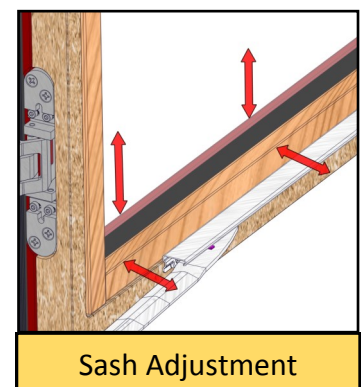
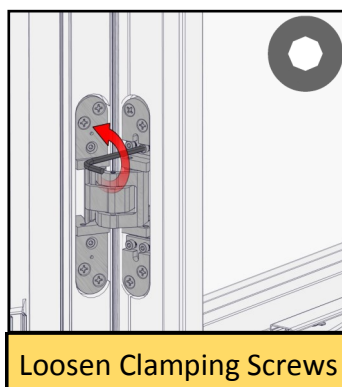
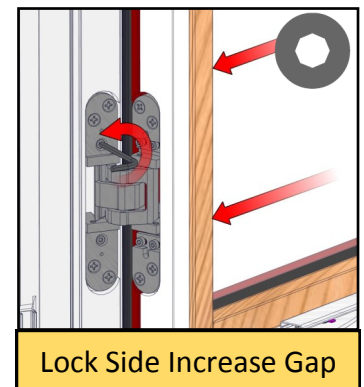
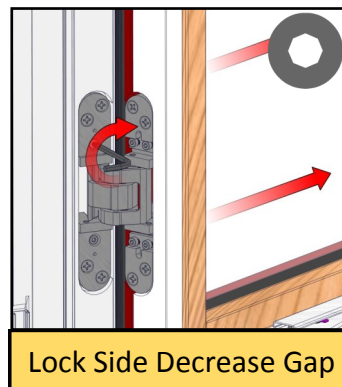
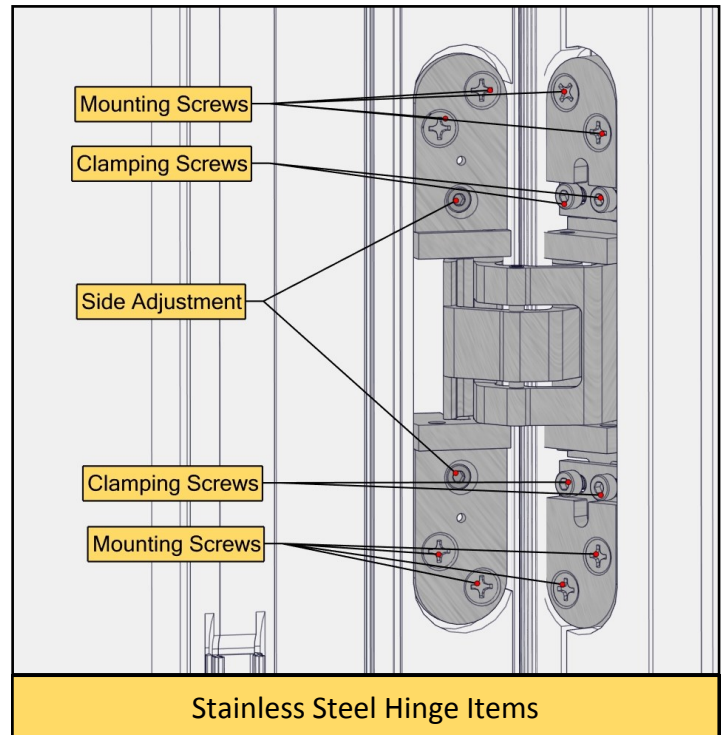
Replace Hinge Covers

- Note:**
- ◆ Hinge adjustments are easier if Jamb Covers are not in place
 - ◆ It is possible to separate the Standard Hinge through removing depth adjustment screws
 - ◆ Before raising the sash, make sure the upper height adjustment screws on both hinges are loosened.

Hinge Adjustment Continued

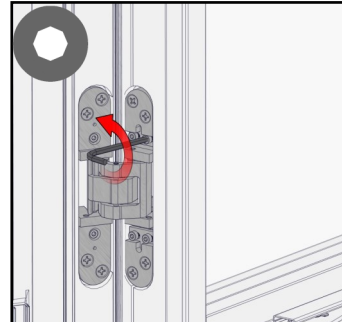
Stainless Steel Hinge

- Side to Side Adjustment of Sash
 - ◆ Adjust the Side Adjustment screws on sash-side part of hinge.
 - ◆ Turn both adjusting screws CW on both hinges to decrease gap on lock-side of sash.
 - Turn both adjusting screws CCW on both hinges to increase gap on lock-side of sash.
- Height and Depth Adjustment of Sash
 - Place blocking under end of sash.
 - Slightly loosen all four clamping screws on all hinges.
 - Adjust the vertical position of the sash.
 - Raise or lower sash by shimming between sash and blocking
 - After height is adjusted to proper place, push sash in or out to adjust depth for proper compression of seal.
 - Re-tighten all clamping screws.
- Installing Hinge Covers
 - Place thin hinge cover on Jamb side of hinge.
 - Insert 4mm x 10mm long flat head screw in screw hole.
 - Using a 2.5mm hex driver, drive screw into hinge.

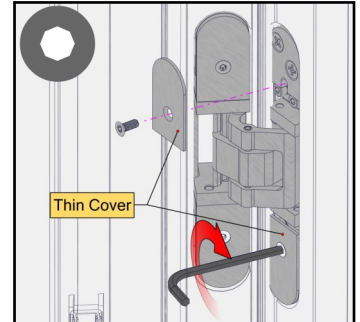


Hinge Adjustment Continued

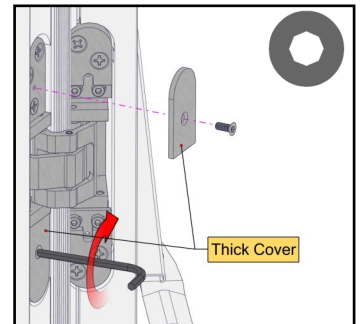
- Repeat for other end of hinge and the other jamb hinge.
- Place thicker hinge cover on Sash side of hinge.
- ◆ Insert included 4mm x 10mm long flat head screw in screw hole.
- Using a 2.5mm hex driver, drive screw into hinge.
- Repeat for other end of hinge and the other jamb hinge.



Tighten Clamping Screws



Thin Cover Install



Thick Cover Install

Note:

- ◆ It is not possible to separate the Stainless Steel hinge parts. Remove sash from frame through removing mounting screws on Frame Side of hinge.

Note:

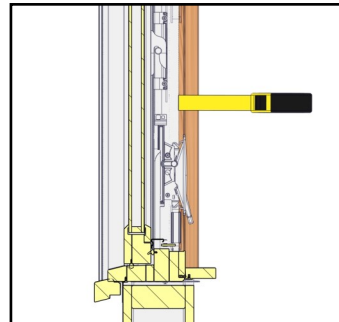


- ◆ Sash is HEAVY and MUST be supported while adjusting height and depth of hinges! Serious damage and/or injury or death can occur if these instructions are not strictly followed.

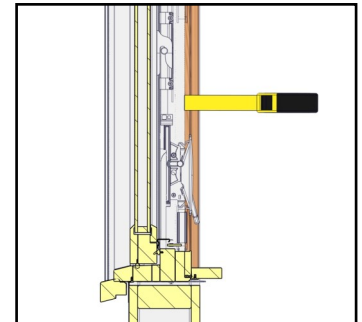
Jamb Extensions/Liners

Note:

- ◆ If Jamb Extensions do not evenly flush with finished interior wall surface, verify Flashing Flanges or Exterior Trim is fully touching outside wall
- ◆ Installer can remove material from jamb extenders to flush up to interior wall surface
- ◆ For Arch Frame Windows, there is not any need to shorten vertical Jamb Extensions to make room for Stool



7/8" Jamb Extender

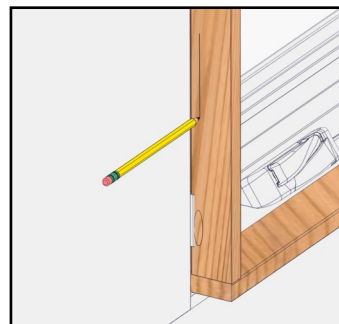


1/2" Jamb Extender

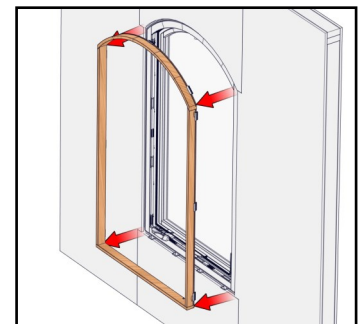
Jamb Extensions 7/8" or wider

Note:

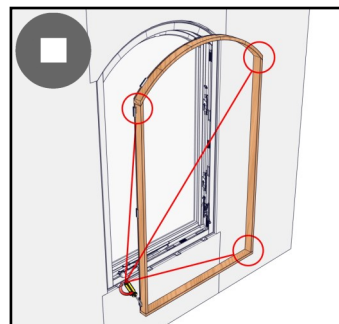
- ◆ Curved header pieces are doweled and glued together. Do not attempt to separate
- Use a pencil to scribe backside of jamb extension
- Remove jamb extension assembly from window
- Use a #2 Square Drive to remove screws.
- Remove material up to scribe line from surface opposite attachment kerf
- Verify each individual piece is now flush with wall
- If desired, replace bottom extender with Stool (not provided)
- On flat surface, butt bottom of vertical jamb extension to top of stool.
- Clamp corners in desired position
- Reinstall original screws through existing holes
- Place assembly back onto window
- Shim securely



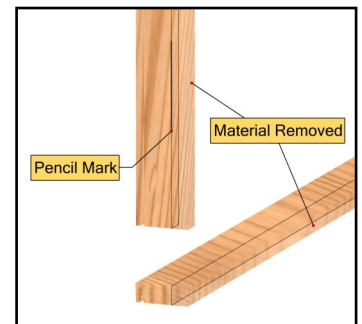
Scribe / Mark Jamb



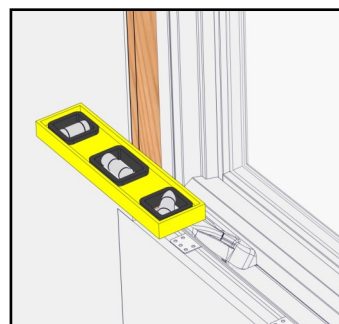
Jamb Removal



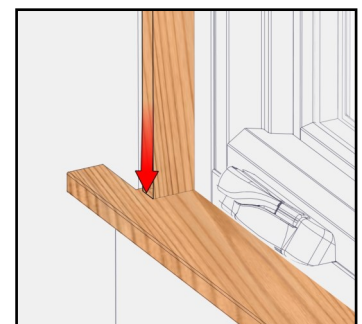
Jamb Screw Removal



Jamb Matl. Removed



Jamb(s) Flush W/ Wall



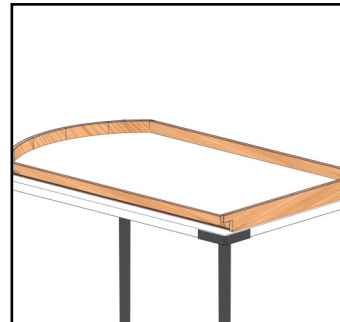
Jamb To Stool

Jamb Extensions/Liners Continued

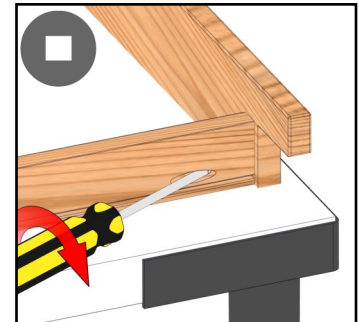
Jamb Extensions 1/2" up to 7/8"

Note:

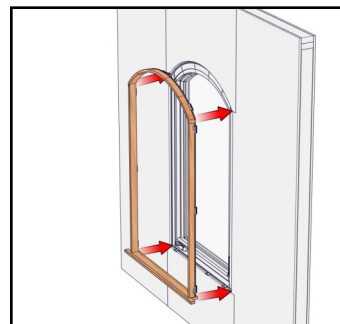
- ◆ Corners are not screwed together
- ◆ Curved header pieces are doweled and glued together. Do not attempt to separate
- Use a pencil to scribe backside of jamb extension
- Individually remove each jamb extension assembly from window
- Remove material up to scribe line from surface opposite attachment kerf
- Verify each individual piece is now flush with wall
- If desired, replace bottom extender with Stool (not provided)
- Place extender back onto window
- Shim securely



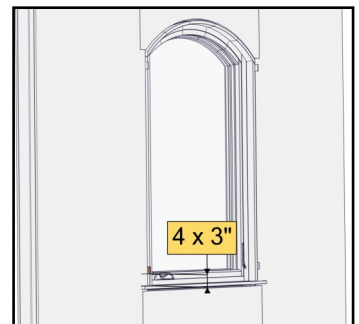
Jamb Asy on Table



Jamb Stool Asy



Replacing Covers & Stool

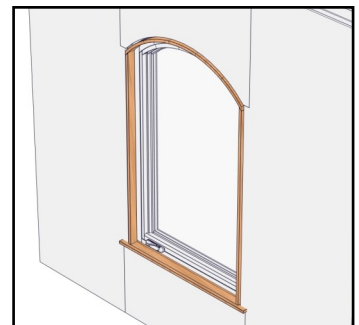


Jamb Shim Placement

Jamb Extensions 1/8" up to 1/2"

Note:

- ◆ Jamb Extenders/Liners narrower than 1/2" are nailed and/or glued to the window frame
- ◆ Curved header extenders are glued to the frame
- Use block plane to remove extender material until flush with wall
- If desired, replace bottom extender with Stool (not provided)
- Tip: Use acetone to help remove bottom extender
- If installing a field mullied combination unit, refer to Mulling Instructions for additional extender information



Inside ISO View

Install Interior Trim

Note:

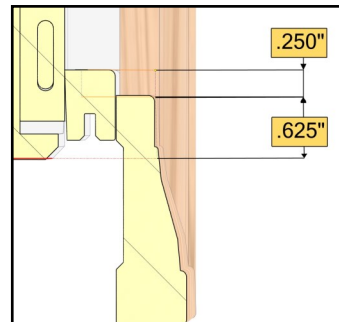
- ◆ Interior radius trim is available from Milgard. Linear trim provided by installer.
- ◆ Installer may brad nail into Arch Frame windows to attach trim.

Header Alignment

- Align trim segments with other segments on window for proper reveal and best aesthetics
- The inner edge of the header trim is designed to be 5/8" from the edge of the window
- If there are jamb extensions present, there is a 1/4" reveal from the inner edge of the jamb extension to the header inner edge
- Temporarily tape header into position

Jamb Alignment

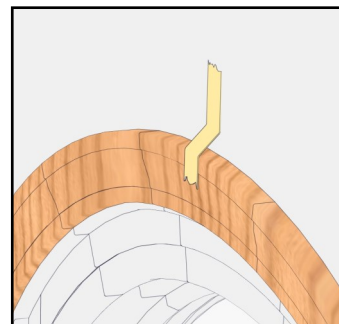
- To determine proper miter angle, place jamb trim over header trim
- Make sure jamb trim has desired reveal
- Temporarily tape jamb trim into position
- Repeat for other side



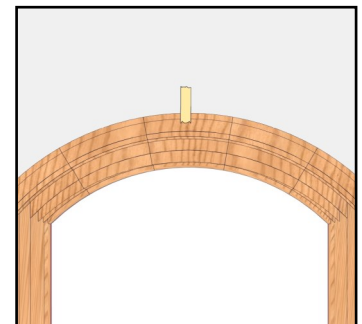
Trim Align. Fascia & Jamb



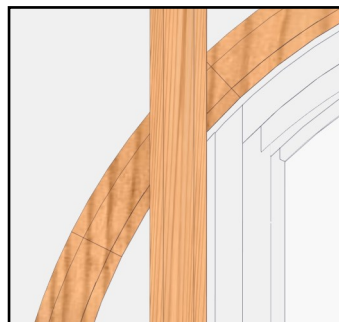
Frame To Header Trim



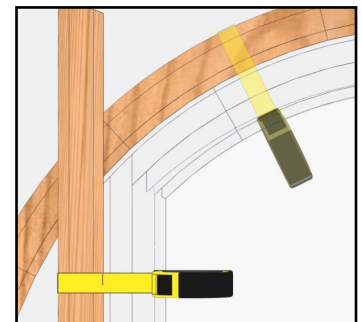
Tape On Trim Header



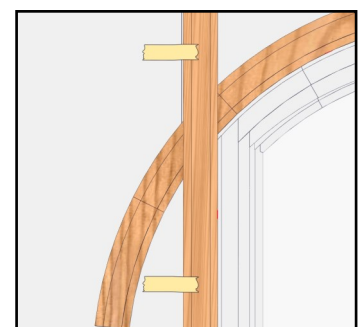
Fascia & Trim Segments



Overlap Trim



Trim Segments Equal

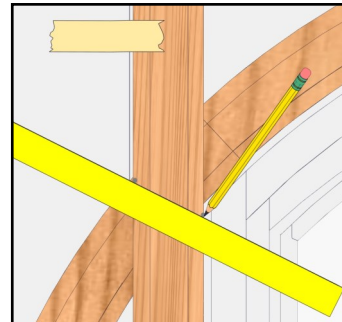


Tape Trim Into Place

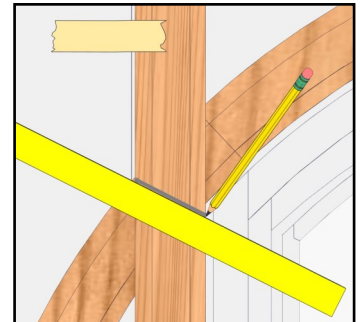
Install Interior Trim Continued

Mitre Angle

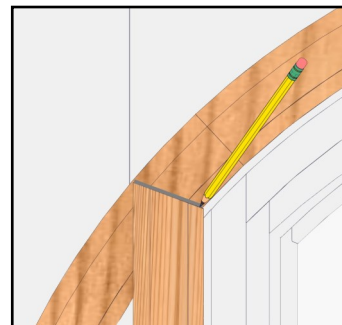
- Mark intersection points where jamb crosses header trim
- Draw line between intersection points
- Cut mitre on jamb
- Position mitred jamb back onto header
- Scribe along mitered cut onto header
- Repeat for other jamb
- Remove header and cut along scribed lines
- Attach Trim to window and wall with 1 to 1-1/2" long brad nails
- Putty brad holes and prep for staining/painting



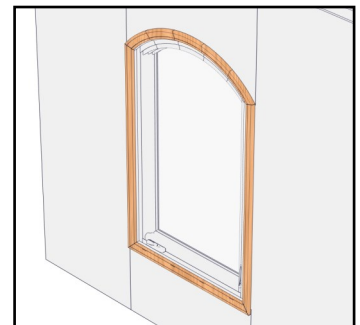
Mark Intersections



Connect Points



Mark Header



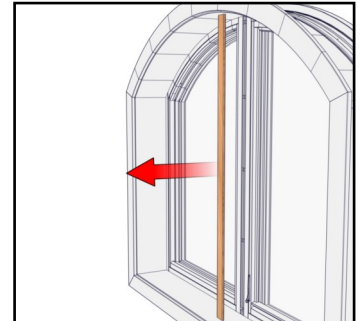
Installed Trim

Mull Covers

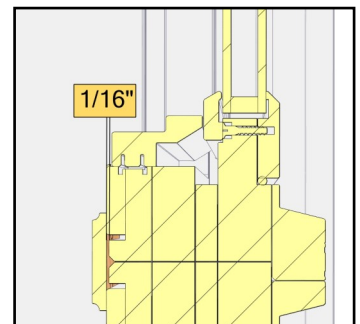
- Detach Mull Cover from window by tugging Mull Cover away from window
- Reattach Mull Cover by placing over installed position
- Press Mull Cover with heel of hand to engage fasteners

Note:

- ◆ For field mull instructions, please refer to LA7012 Field Mulling Installation Instructions
- ◆ It is not necessary to remove cover unless field mulling windows
- ◆ There is 1/16" of area available under Mull Cover for wiring alarm systems



Mull Cover Removal



Mull Cover Gap

Screen

Screen Operation

- Remove Screen by lifting handle up and out
- Replace Screen by inserting top in first and lifting bottom over crown in Sill Cover
- Screen is held in place with foam spring at top of window. The foam spring is part of the window frame
- The foam spring is replaceable.
- Do not paint or stain the foam spring

Mesh Replacement

Note:

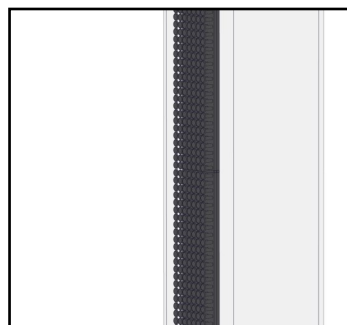
- ◆ There is not any screen spline associated with this screen type

- Existing mesh

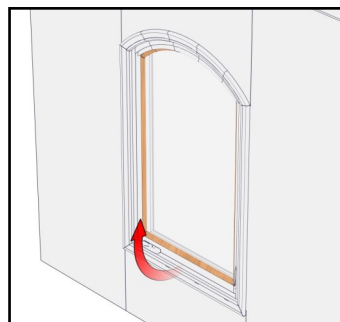
Note:

- ◆ If existing mesh is pushed off of screen frame and edges are not frayed, you may reattach it.

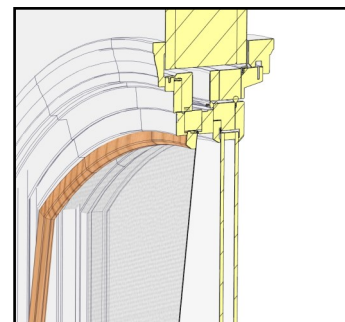
- Stretch mesh back over fastener strip
- Press mesh into fastener strip
- Make sure mesh is fully



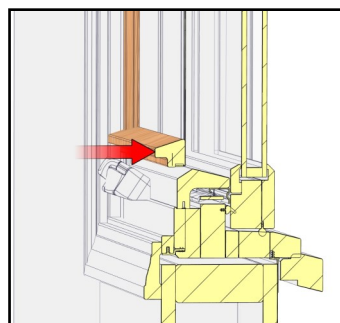
Fastener Strip



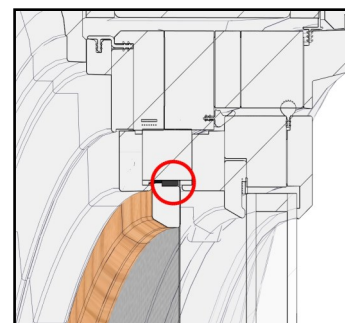
Screen Removal



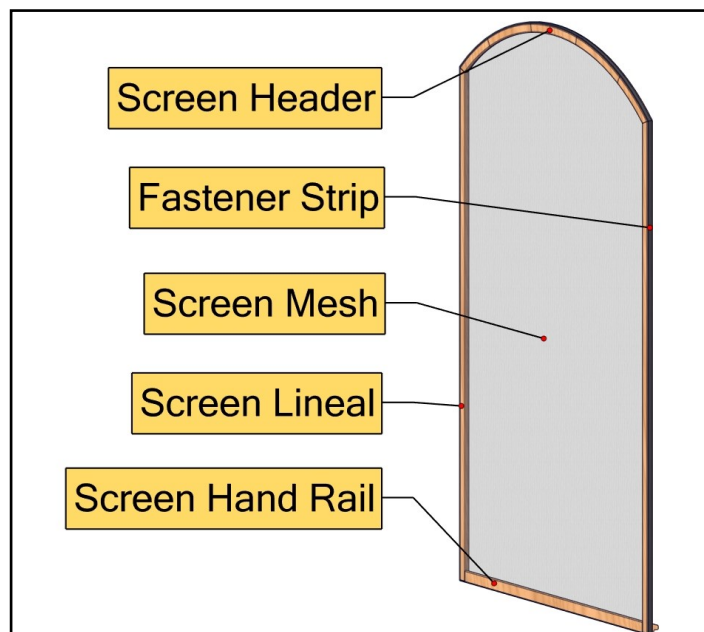
Screen In Header



Screen Install



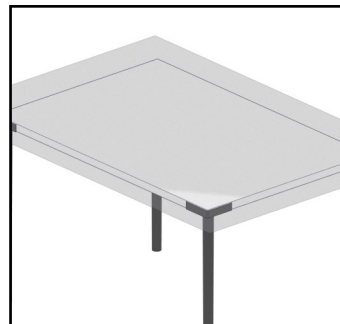
Screen Spring Foam



Screen Items

Screen Continued

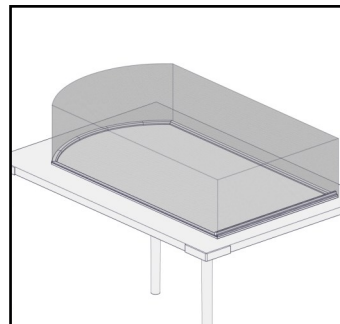
- New mesh (Fiberglass or Aluminum)
 - Start with mesh about one foot wider and taller than screen frame
 - Fully support mesh on a flat surface
 - Center Screen Frame on mesh with inside surface up
 - Square up frame with mesh
 - Attach mesh to bottom of Screen Frame along entire width
 - Use fingers or roller tool to fully embed mesh into fastener strip
 - Take care not to introduce any wrinkles into screen mesh
 - Slightly pull screen mesh towards top of screen frame to remove wrinkles
 - Embed mesh into top fastener strip
 - Start in the middle and work towards outer edges
 - Hold screen assembly up to see if there are any wrinkles
 - Remove wrinkles though pulling mesh off and refastening to screen frame
 - Attach to sides of frame
 - Avoid wrinkling mesh



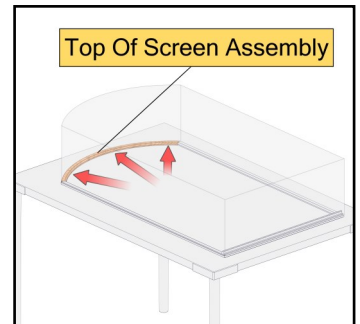
Screen Mesh On Table



Screen Frame On Mesh

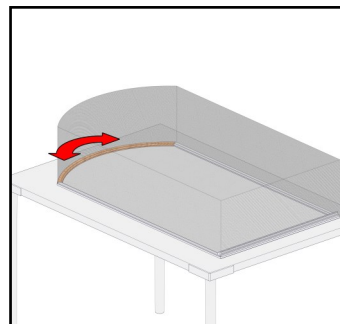


Screen Mesh Folded

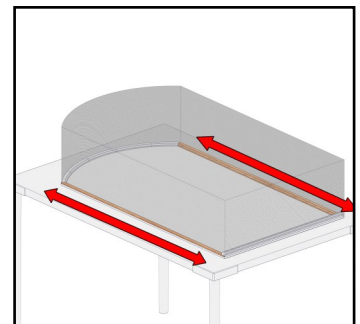


Top Of Screen Assembly

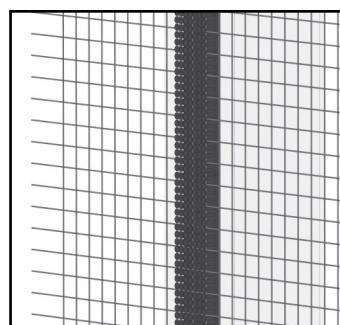
Pull Screen To Top



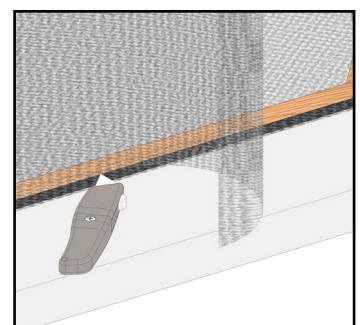
Fasten Top



Fasten Sides



Screen In Fastener Strip



Cut Away Extra Mesh

Note:

Mesh does not require looseness of traditional screen spline method

Screen Continued

- After satisfactorily attaching mesh, fully embed mesh into fastener strip
- Trim mesh with utility knife
- Use edge of fastener strip to guide knife blade
- Cut any loose threads or wire

Window Opening Control Device (WOCD)

- Open and release WOCD
 - Unlock window and crank open to limit
 - Slide red cover up and hold
 - Rotate the orange tab toward the exterior (if tab is difficult to rotate, relieve pressure using the crank)
 - Continue to crank window open while holding the orange tab in place, until the window is fully open.
- Close and engage WOCD
 - Crank window all the way closed. The WOCD will automatically reset at or near the fully closed position
 - Check for WOCD engagement though cranking window until WOCD limits the window opening
 - Crank window closed and securely lock the window



Window Max Opening



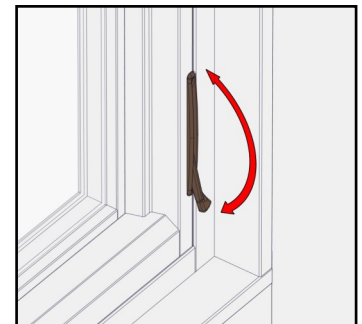
Slide Cover Up



Rotate Tab



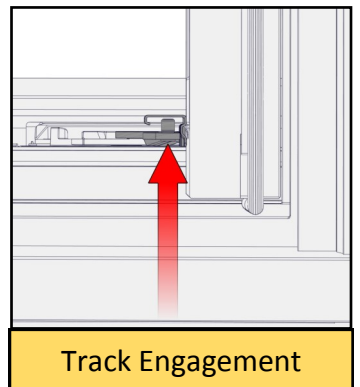
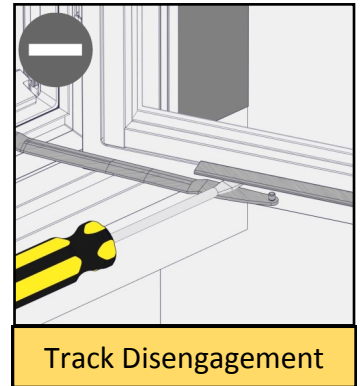
Hold Tab & Open Window



Lock Motion

Sash Removal and Attachment

- Removal
 - Refer to Hinge Adjustment section for instructions on separating or removing hinges
 - Open window to full open position.
 - Disconnect operator arm from slider in track (located on sash). Slip flat head screwdriver or putty knife between operator arm and track, then pry downwards.
 - Retract operator to “closed” position.
- Attachment
 - Refer to Hinge Adjustment section for instructions on connecting or installing hinges
 - Open Operator and press pivot pin into track slider.
 - Close window.
 - Adjust hinges if window does not equally contact weather-strip



Clean Up

- After siding installation is complete, install exterior sealant between siding and window or trim
- Wipe up any excess caulk
- Clean up scuff marks with soap and water
- TiteBond® WeatherMaster Sealant compatible colors

TiteBond® WeatherMaster Sealant Compatible Colors		
Milgard Palette Color	TiteBond® WeatherMaster™ Color Reference	Milgard Part Number
Bark	44061	SE7673AR
Black Bean	44031	SE7673BL
Bronze	45841	SE7673ZB
Cinnamon	45521	SE7673CI
Classic Brown	44211	SE7673LW
Espresso	45661	SE7673EX
Evening Sky	45531	SE7673ES
Fern	45651	SE7673FN
Fog	46681	SE7673FO
Frost	44001	SE7673FS
Harmony	44641	SE7673HR
Ivory	45511	SE7673IV
Pea Pod	49211	SE7673PP
Sand	46041	SE7673SD
Tweed	44691	SE7673TE
Twilight	44031	SE7673BL



Clearly the best.

Revisions

REVISIONS					
REV	ECN	DESCRIPTION	DATE	DRAWN	APPD.
A	4278ECNEG	INITIAL RELEASE	07/27/2016	BBB	VM